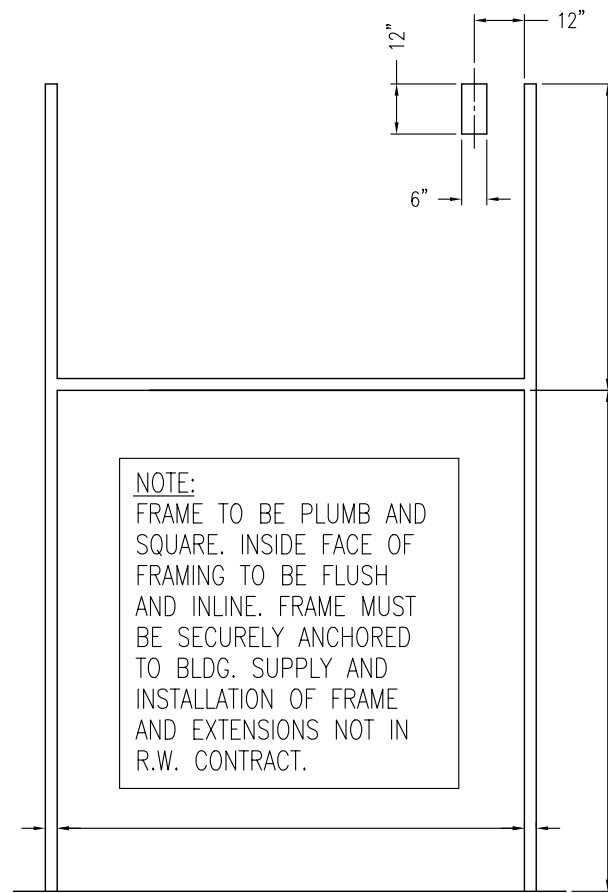
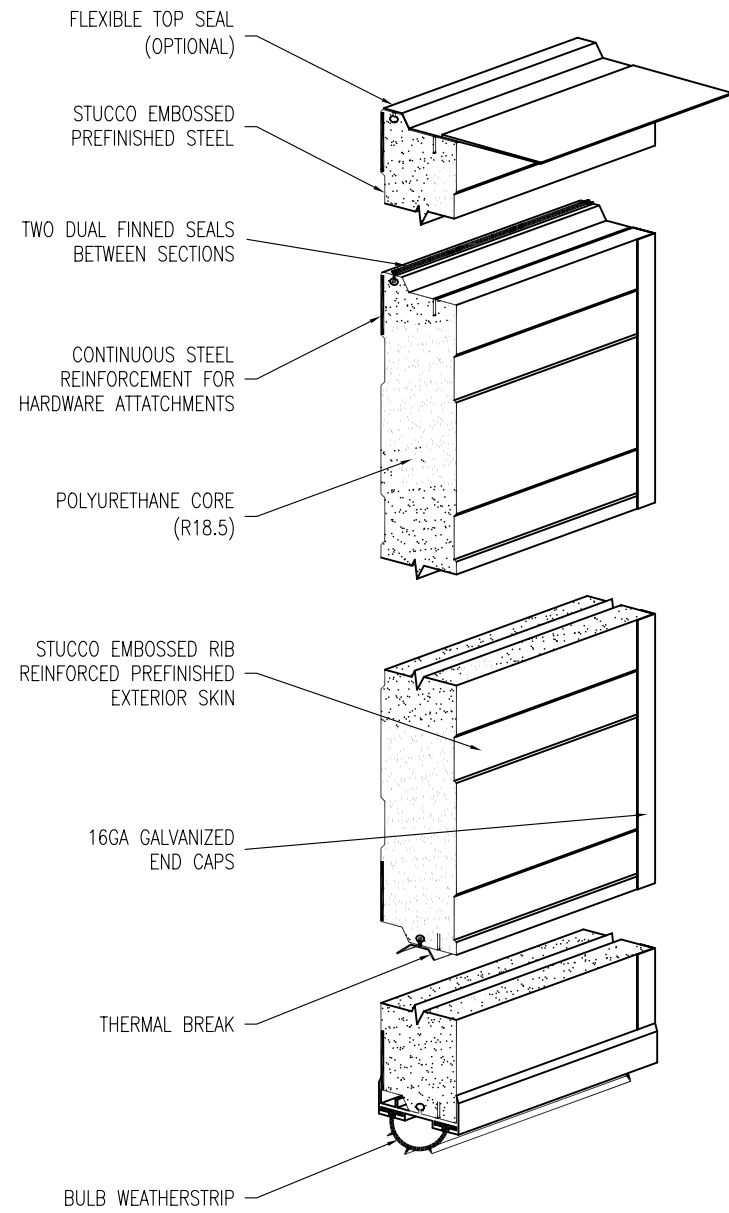


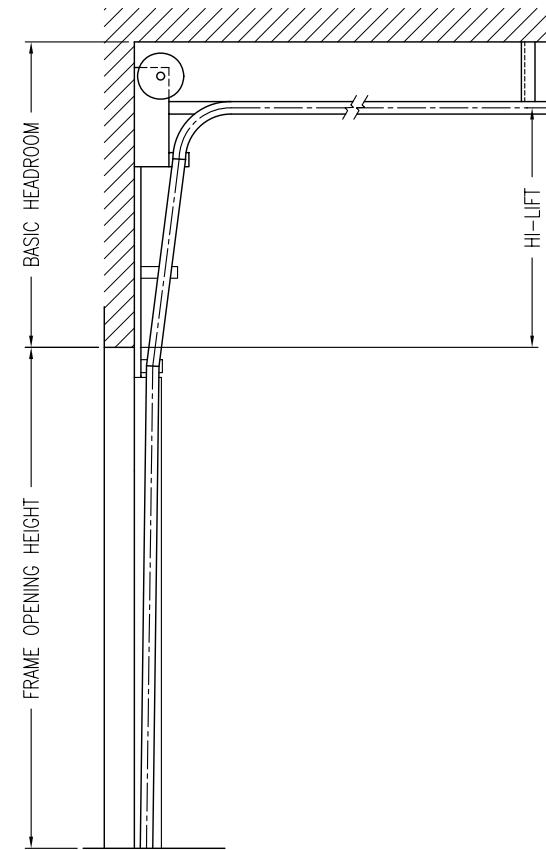
THERMATITE T200



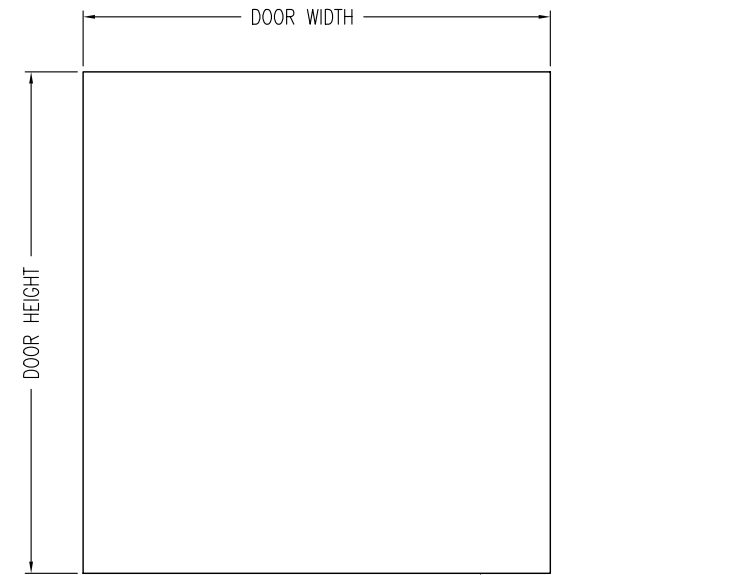
NOTE:
FRAME TO BE PLUMB AND SQUARE. INSIDE FACE OF FRAMING TO BE FLUSH AND INLINE. FRAME MUST BE SECURELY ANCHORED TO BLDG. SUPPLY AND INSTALLATION OF FRAME AND EXTENSIONS NOT IN R.W. CONTRACT.

INTERIOR ELEVATION OF FRAMING BY OTHERS

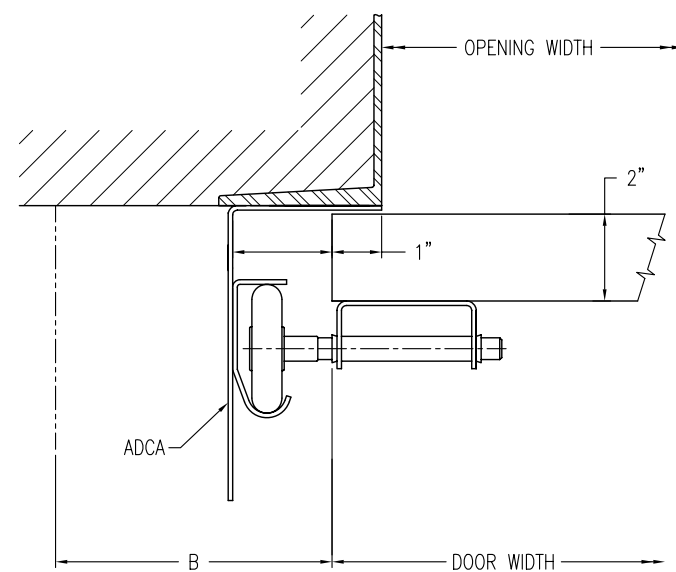
ISSUE NO.	REV. LET.	ISSUES OR REVISIONS	DATE	BY	APP.



VERTICAL SECTION



EXTERIOR ELEVATION



STEEL JAMB DETAILS

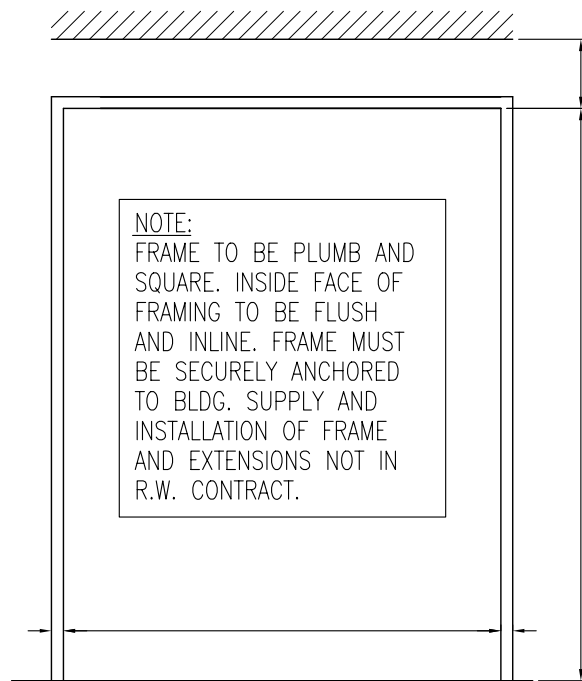
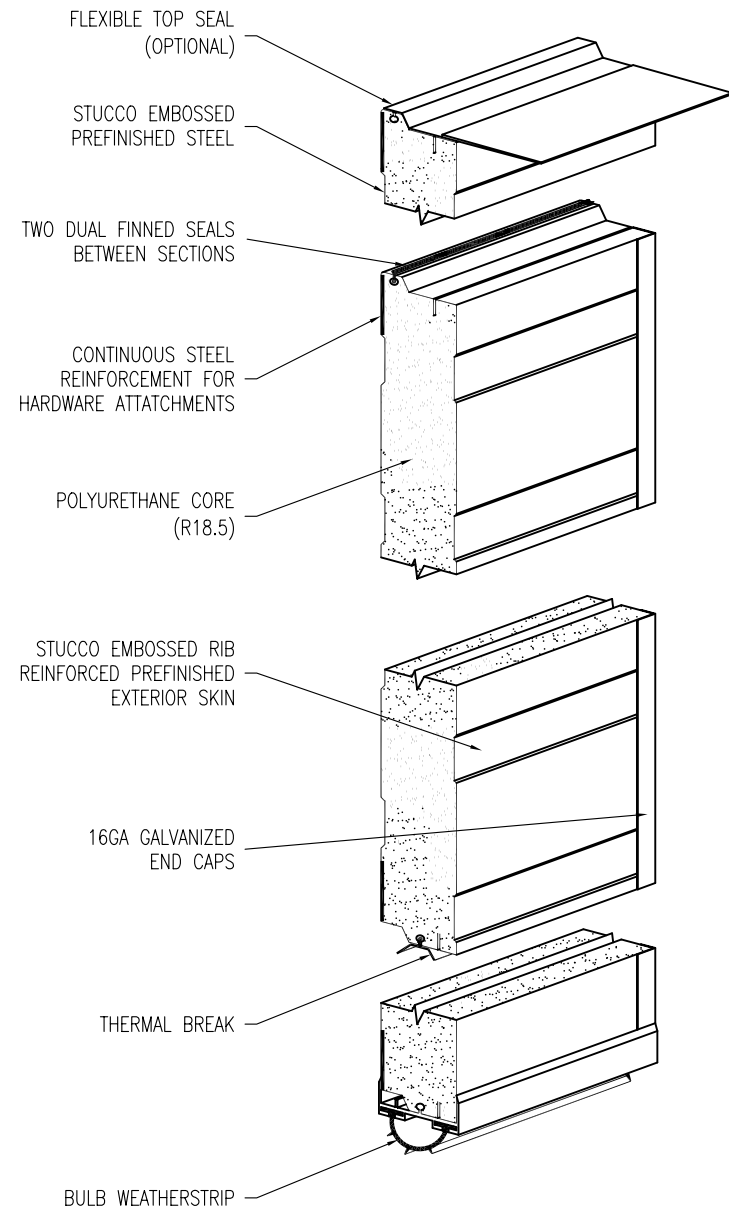
	A	B	C
ADCA 2"	1 1/2"	3 1/2"	2 1/2"
ADCA 3"	2"	4"	3"

TITLE	ROLLTITE HIGH LIFT HARDWARE AND THERMATITE T200 DOOR				
CLIENT					
JOB					
CONTRACTOR					
SETS REQUIRED					
CLIENT'S ORDER NO.	R-W ORDER NO.				

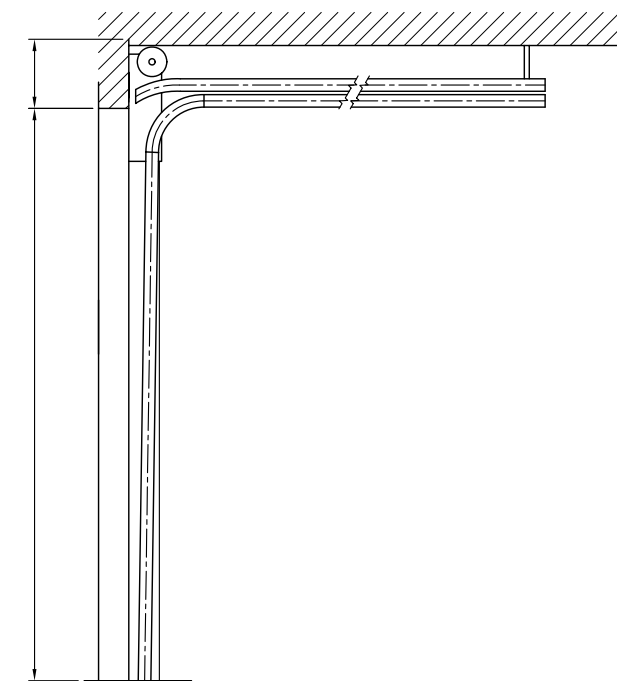
Richards-Wilcox
CANADA INC.
TORONTO, ONTARIO

DRAWN	J.W.	SCALE	
CHECKED		DRAWING NO.	
APPROVED		SHEET NO.	

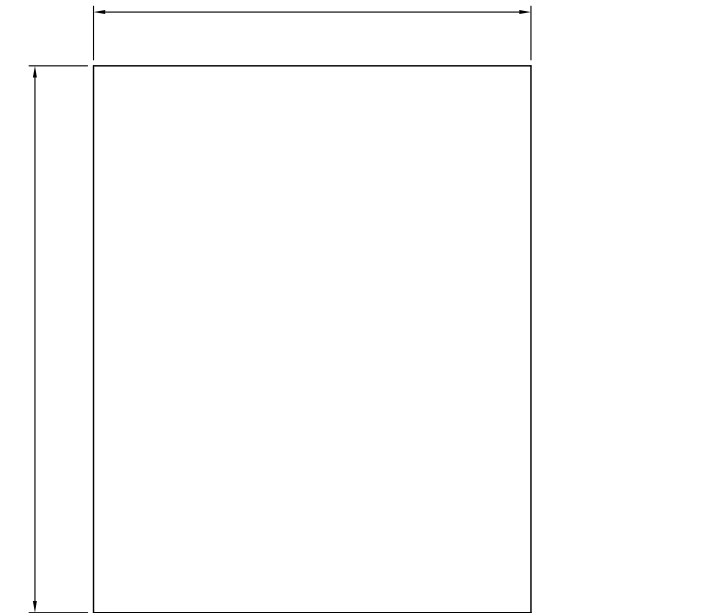
THERMATITE T200



INTERIOR ELEVATION OF FRAMING BY OTHERS

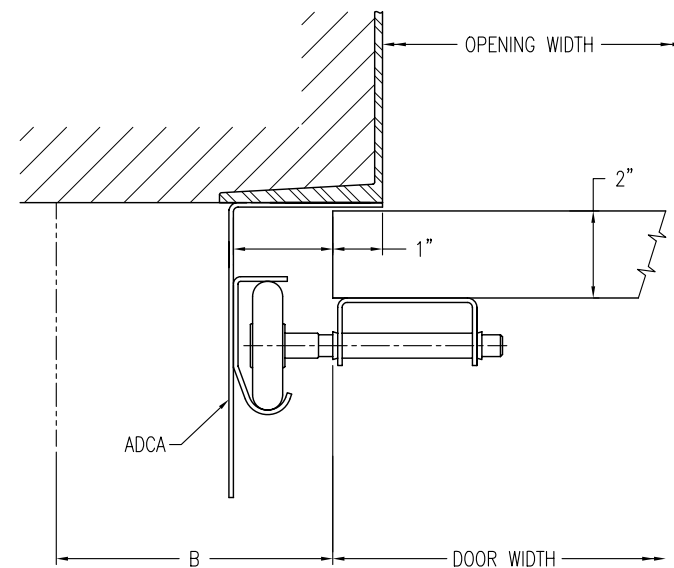


VERTICAL SECTION



EXTERIOR ELEVATION

BOTTOM WEATHERSTRIP



STEEL JAMB DETAILS

	A	B	C
ADCA 2"	1 1/2"	3 1/2"	2 1/2"
ADCA 3"	2"	4"	3"

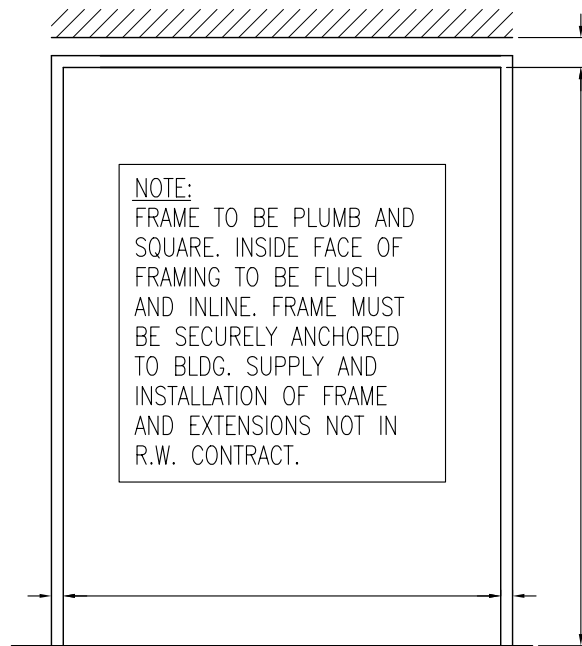
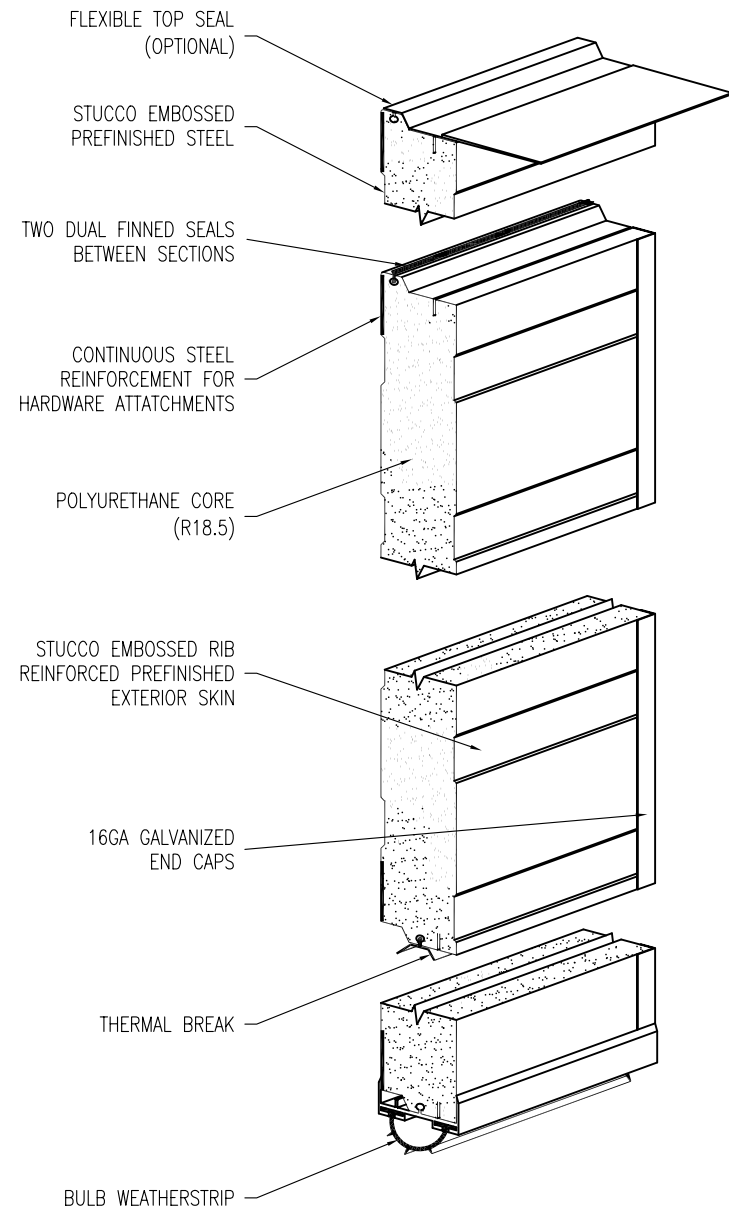
ISSUE NO.	REV. LET.	ISSUES OR REVISIONS	DATE	BY	APP.

TITLE	ROLLTITE LOW HEADROOM HARDWARE (REAR SPRINGS) AND THERMATITE T200 DOOR				
CLIENT					
JOB					
CONTRACTOR					
SETS REQUIRED					
CLIENT'S ORDER NO.	R-W ORDER NO.				

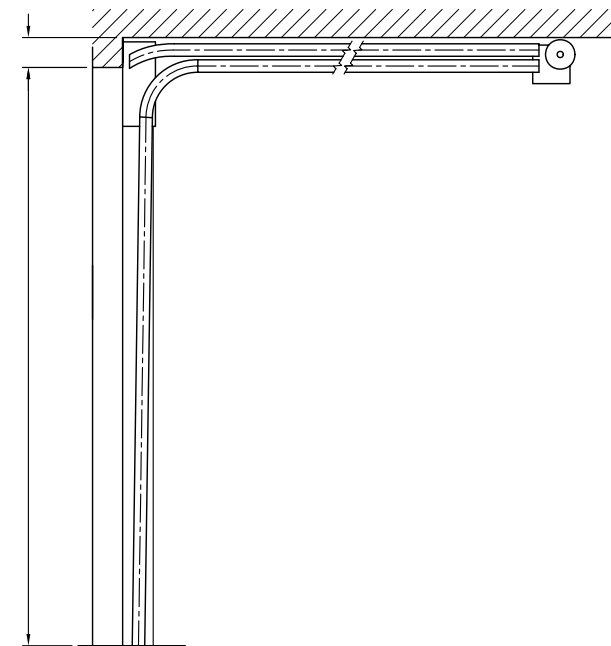
Richards-Wilcox
CANADA INC.
TORONTO, ONTARIO

DRAWN	J.W.	SCALE	
CHECKED		DRAWING NO.	
APPROVED		SHEET NO.	

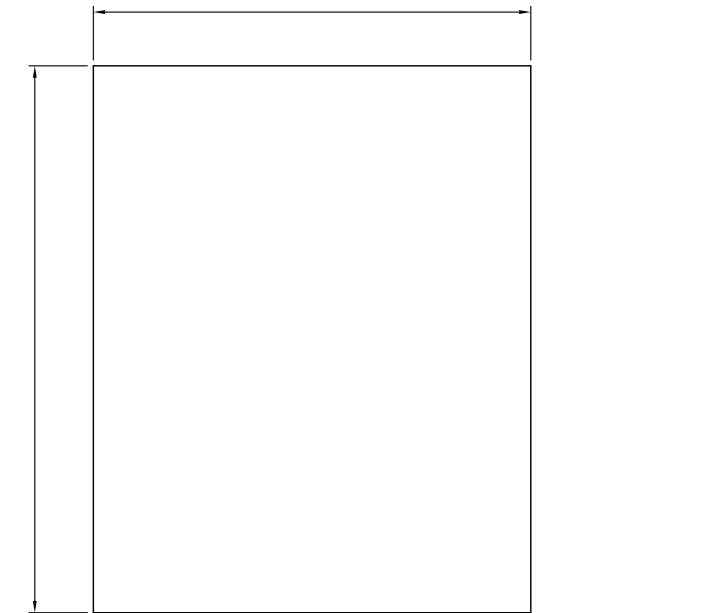
THERMATITE T200



INTERIOR ELEVATION OF FRAMING BY OTHERS

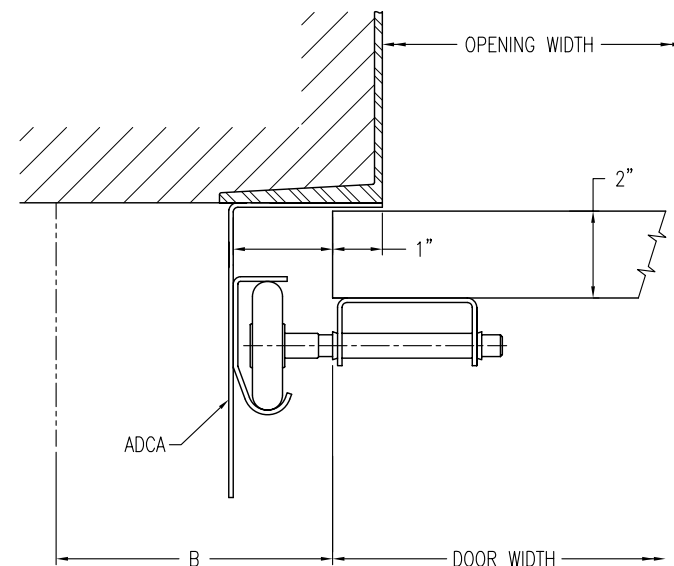


VERTICAL SECTION



EXTERIOR ELEVATION

	A	B	C
ADCA 2"	1 1/2"	3 1/2"	2 1/2"
ADCA 3"	2"	4"	3"



STEEL JAMB DETAILS

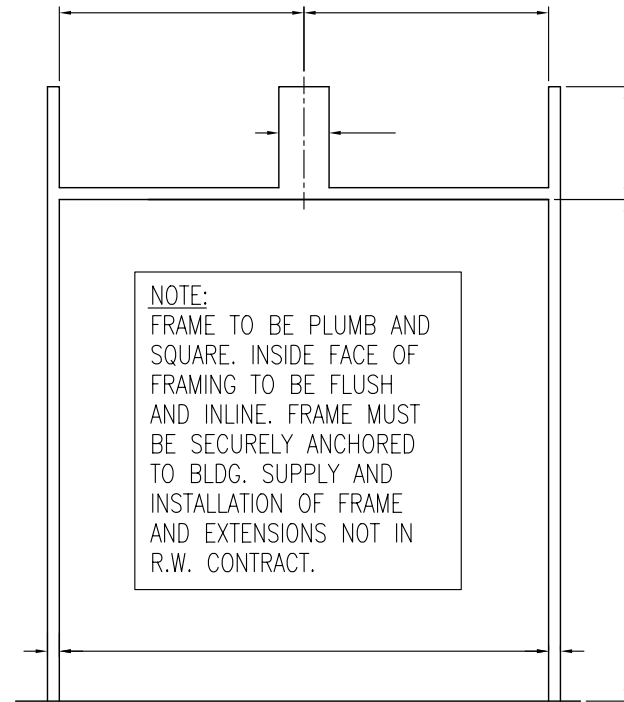
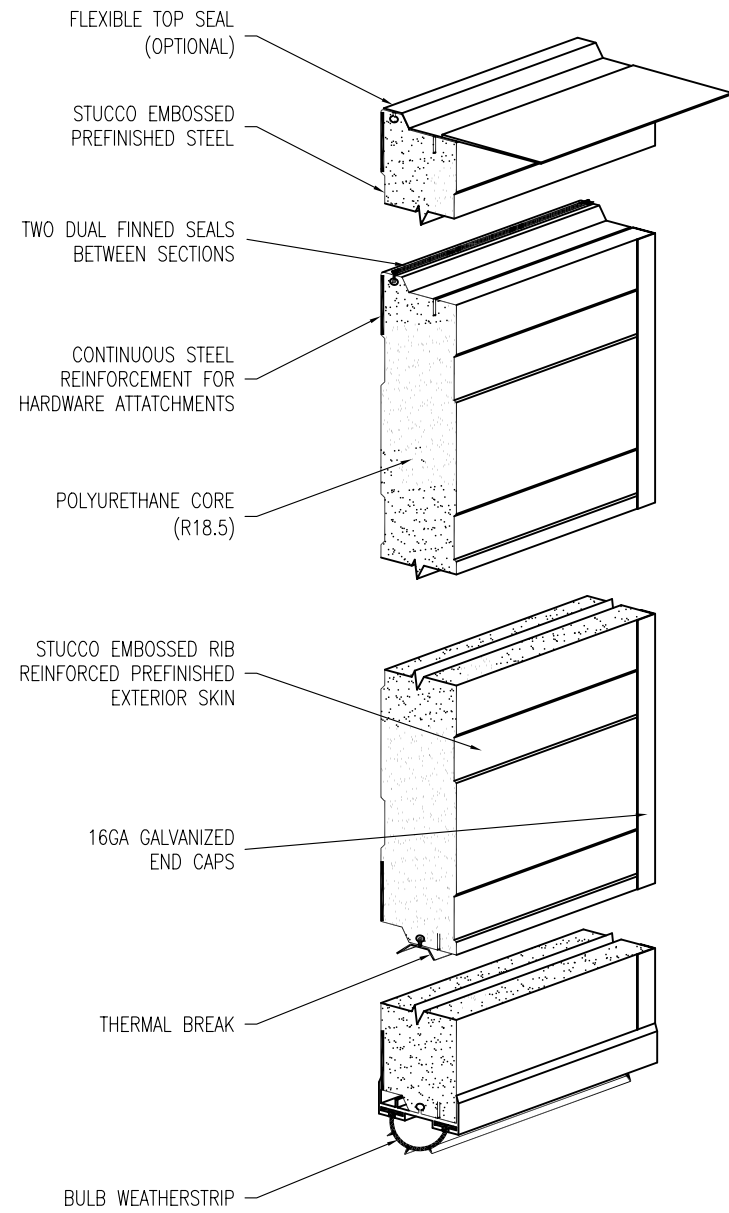
ISSUE NO.	REV. LET.	ISSUES OR REVISIONS	DATE	BY	APP.

TITLE	ROLLTITE LOW HEADROOM HARDWARE (REAR SPRINGS) AND THERMATITE T200 DOOR				
CLIENT					
JOB					
CONTRACTOR					
SETS REQUIRED					
CLIENT'S ORDER NO.	R-W ORDER NO.				

Richards-Wilcox
CANADA INC.
TORONTO, ONTARIO

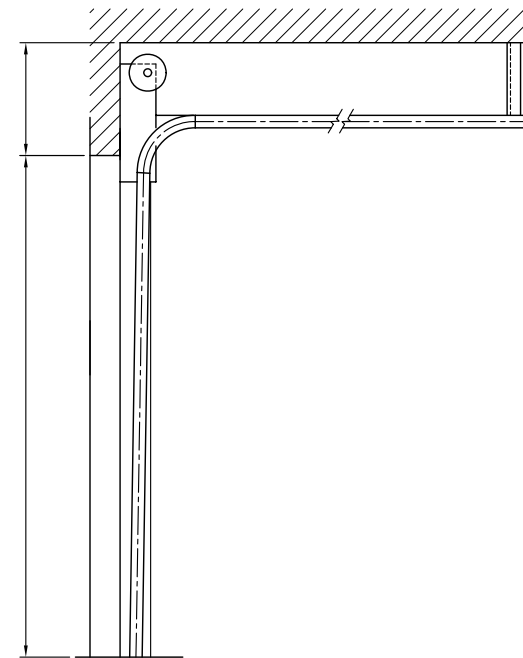
DRAWN	J.W.	SCALE	
CHECKED		DRAWING NO.	
APPROVED		SHEET NO.	

THERMATITE T200

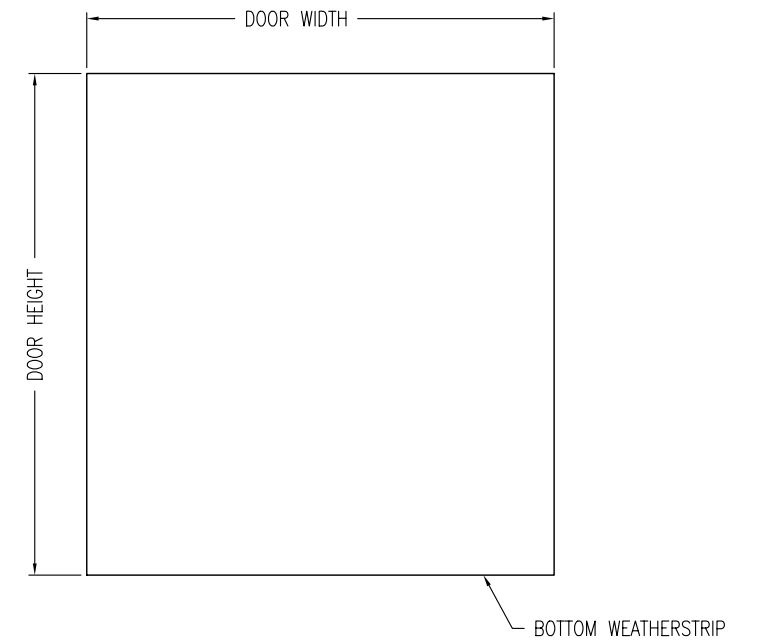


INTERIOR ELEVATION OF FRAMING BY OTHERS

ISSUE NO.	REV. LET.	ISSUES OR REVISIONS	DATE	BY	APP.

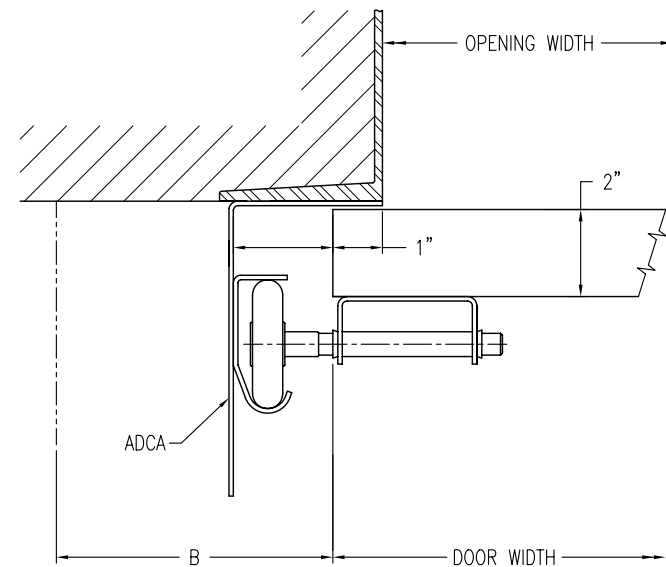


VERTICAL SECTION



EXTERIOR ELEVATION

	A	B	C
ADCA 2"	1 1/2"	3 1/2"	2 1/2"
ADCA 3"	2"	4"	3"



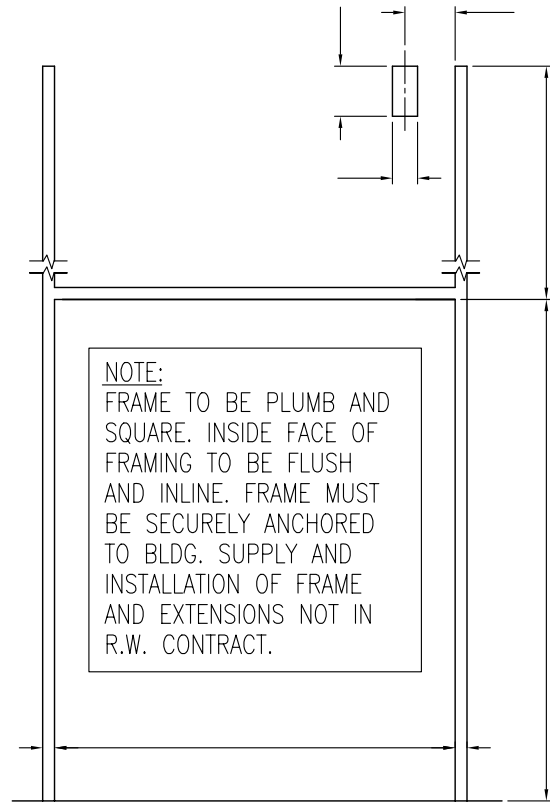
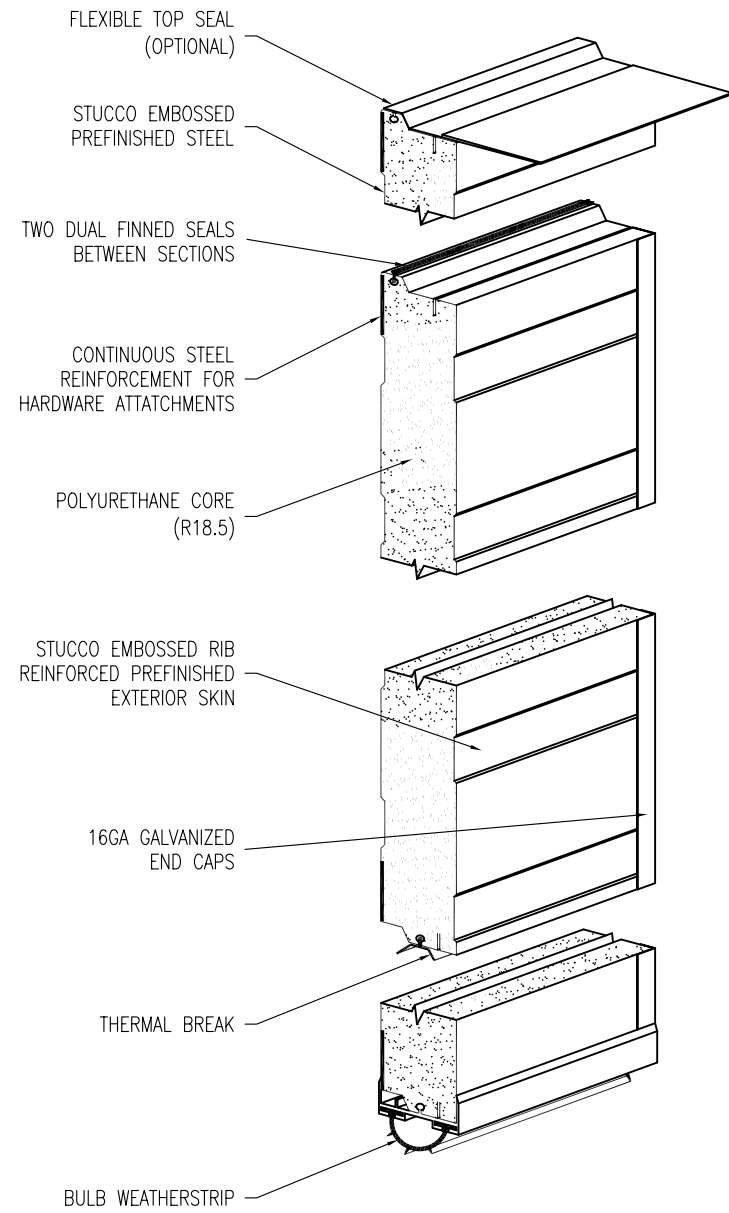
STEEL JAMB
DETAILS

TITLE	ROLLTITE STANDARD LIFT HARDWARE AND THERMATITE T200 DOOR				
CLIENT					
JOB					
CONTRACTOR					
SETS REQUIRED					
CLIENT'S ORDER NO.	R-W ORDER NO.				

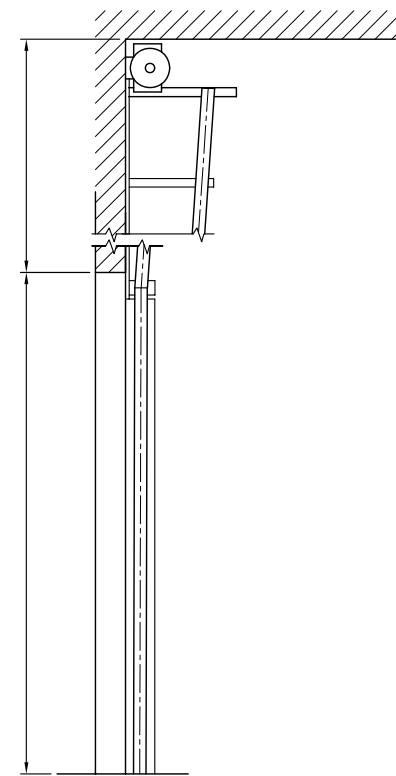
Richards-Wilcox
CANADA INC.
TORONTO, ONTARIO

DRAWN	J.W.	SCALE	
CHECKED		DRAWING NO.	
APPROVED		SHEET NO.	

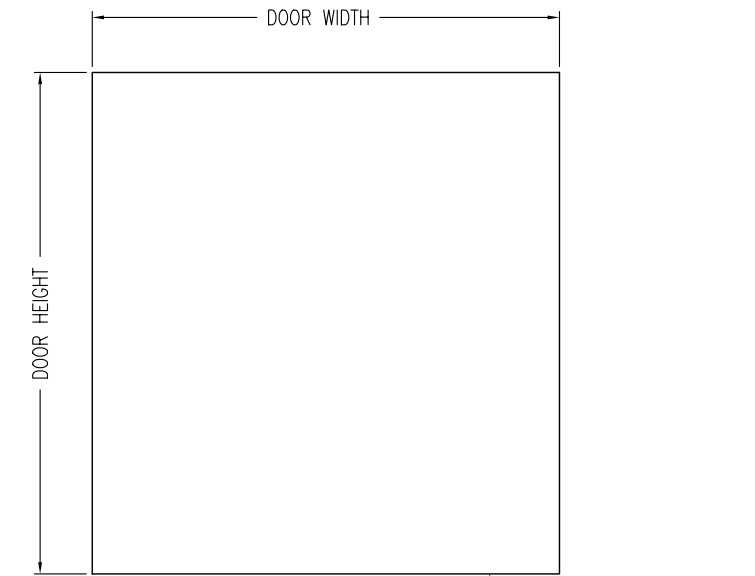
THERMATITE T200



INTERIOR ELEVATION OF FRAMING BY OTHERS



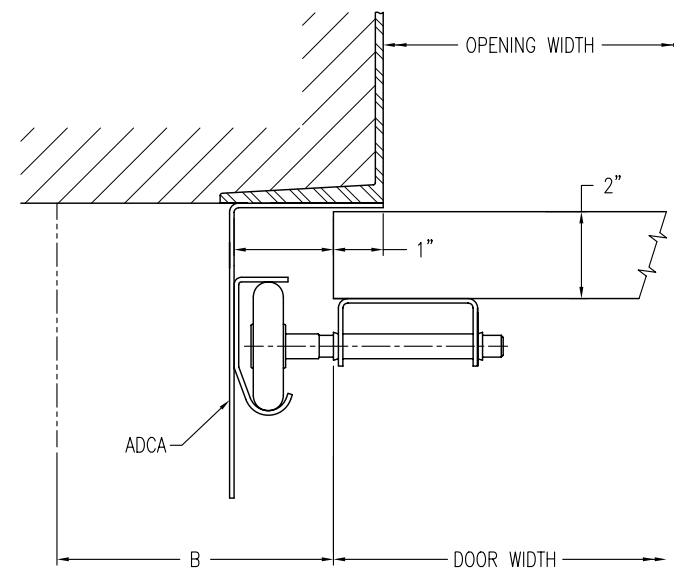
VERTICAL SECTION



EXTERIOR ELEVATION

BOTTOM WEATHERSTRIP

	A	B	C
ADCA 2"	1 1/2"	3 1/2"	2 1/2"
ADCA 3"	2"	4"	3"



STEEL JAMB
DETAILS

ISSUE NO.	REV. LET.	ISSUES OR REVISIONS	DATE	BY	APP.

TITLE	ROLLTITE VERTICAL LIFT HARDWARE AND THERMATITE T200 DOOR				
CLIENT					
JOB					
CONTRACTOR					
SETS REQUIRED					
CLIENT'S ORDER NO.	R-W ORDER NO.				

Richards-Wilcox
CANADA INC.
TORONTO, ONTARIO

DRAWN	J.W.		SCALE	
CHECKED			DRAWING NO.	
APPROVED			SHEET NO.	